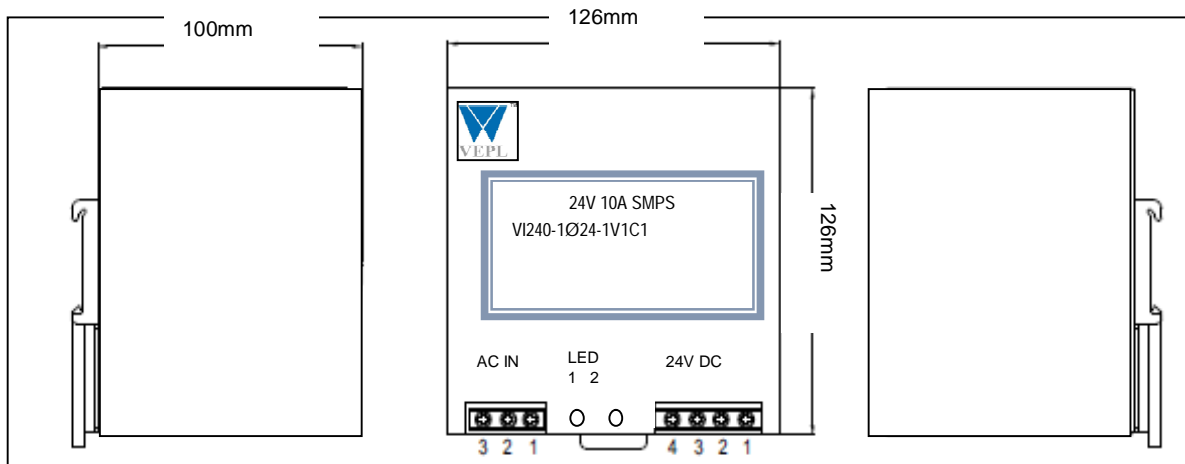


AC-DC CONVERTER

Rev: 00, Aug2019, www.variturndefence.com

24V, 10A - 240W



DIMENSION: 126*126*100 (W*H*D)

Description:

VI240 Series AC/DC converter is an easy-to-use step-down AC-DC solution capable of driving up to 240W. These series of AC/DC converters are available customized package. The VI240 Series DC/DC converters can accept an input voltage rail between 90VAC and 265VAC and delivers a constant output voltage depending on model.

No external capacitors/ resistors required. VI240 Series AC/DC converter has reliable and robust design with following protection features:

1. Output Over current protection.
2. Output short circuit with auto recovery.
3. Over Temperature Shutdown.

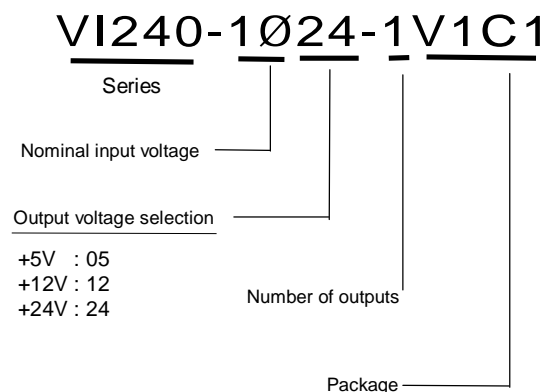
Applications:

- Industrial power supplies.
- Telecommunication systems
- DC- DC Conversion.
- Point of Load Conversions.
- High thermal requirement applications.

Key Features:

- 90VAC to 265 VAC input.
- Efficiency greater than 85%
- Fixed frequency switching.
- Low ripple and noise.
- Isolated.
- Short circuit protection with auto recovery.
- Over Temperature Shutdown.
- -10^o to +70^oC operation.
- Compact in size.

Model selection:



VARITURN ELECTRO PRODUCTS (P) LTD.

196, Phase-II, IDA, Charalappally, Hyderabad-500051, Telangana, INDIA.
Tel: +91 40 27261308, 32443011, Fax: +91 40 27261309

AC-DC CONVERTER

 Rev: 00, Aug2019, www.variturndefence.com
24V, 10A - 240W
Electrical Specifications:

Sl.No	Parameter	Condition	Specifications			Units
			Min	Typ	Max	
1	Input voltage	50Hz	90	230	265	VAC
2	Input protection			Fuse		
3	Output voltage		23.0	24	28	VDC
4	Output power	0°C to +60°C	—	—	240	W
5	Output current		—	10	10.2	A
6	Output ripple		—	90	100	mVp-p
7	Efficiency		—	85	86	%
8	Line regulation	Vin Min to Vin Max	—	0.5	1	%
9	Load regulation	No load to full Load	—	0.9	1	%
10.a	Isolation	Input to Output	—	>2000	—	VDC
10.b		Input to Case	—	>2000	—	VDC
10.c		Case to Output	—	>500	—	VDC
11	Operating Temperature	—	0	—	+60	°C
12	Input and Output connections	—	Terminals			
13	Output protection		Short circuit and over load protection			
14	Parallel operation		Yes			
15	Mounting type		Din-rail			
16	Indications		Input and output voltage monitoring			
17	ESD Immunity		EN61000-4-2, LEVEL-3 PERF B			
18	Radiated Immunity		EN61000-4-3, LEVEL-3 PERF A			
19	EFT		EN61000-4-4, LEVEL-3 PERF A			
20	Surge		EN61000-4-5, LEVEL-3 PERF B			

Mechanical Specifications:

	Depth (mm)	Width (mm)	Height (mm)
Overall specifications	100 ±0.3	126 ±0.5	126 ±0.5

Absolute Maximum ratings:

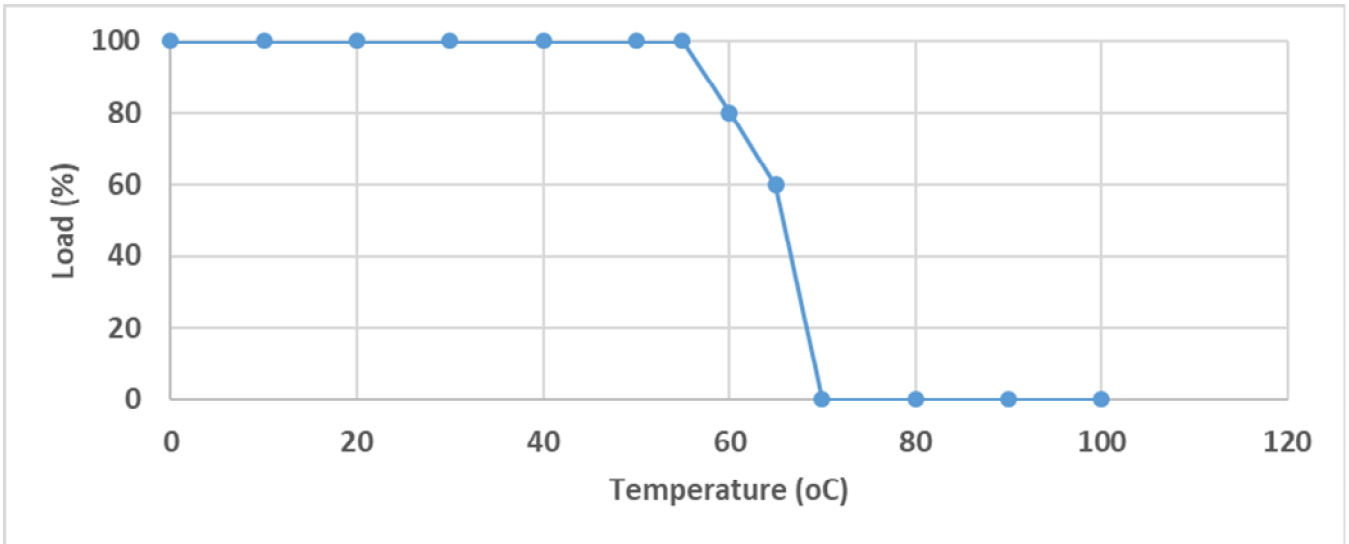
Input voltage	90V to 265VAC
Output power	245 W
Output current	10.2 A
Storage temperature	-10°C to +70°C

VARITURN ELECTRO PRODUCTS (P) LTD.

 196, Phase-II, IDA, Charalapally, Hyderabad-500051, Telangana, INDIA.
 Tel: +91 40 27261308, 32443011, Fax: +91 40 27261309

Performance Graphs:

LOAD Vs TEMPERATURE:



Load Vs Efficiency:

