

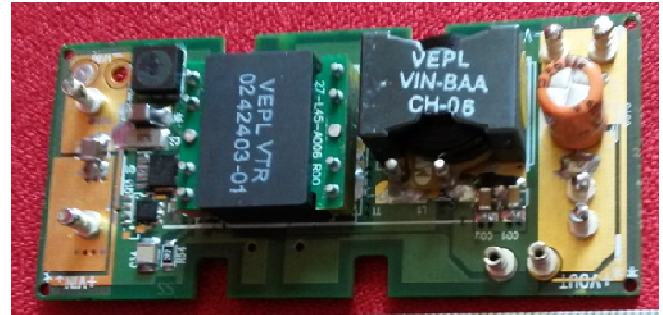
DC-DC CONVERTER

Rev: 00, Jan 2016, www.variturndefence.com

24V, 2.5A - 60W

Key Features:

- 9 to 36 V input.
- Efficiency up to 92%
- Fixed frequency switching.
- Inhibit function.
- Isolated.
- UVLO
- Short circuit protection with auto recovery.
- Over Temperature Shutdown.
- -40^o to +85^oC operation.
- Compact in size.



Size : L x W x H: 3.4 x 1.53 x 0.65 inches

(86.5 x 39 x 16.5 mm)

Description:

VI60 Series DC/DC converter is an easy-to-use step-down DC-DC solution capable of driving up to 60W. These series of DC/DC converters are available customized package. The VI60 Series DC/DC converters can accept an input voltage rail between 9V and 36V and delivers a constant output voltage depending on model.

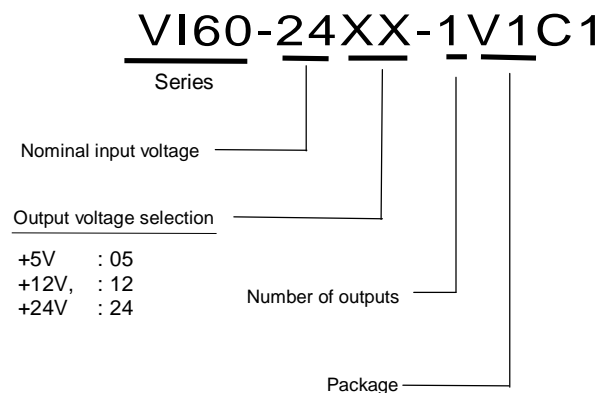
No external capacitors/ resistors required. VI60 Series DC/DC converter has reliable and robust design with following protection features:

1. UVLO.
2. Output short circuit with auto recovery.
3. Over Temperature Shutdown.

Applications:

- Industrial power supplies.
- Telecommunication systems
- DC- DC Conversion.
- Point of Load Conversions.
- High thermal requirement applications.

Model selection:



Inhibit function:

An inhibit is provided to allow a logic low input to shut down the converter. An open circuit on the inhibit pin allows disable operation. A connection between the inhibit pin and the input common disables the internal oscillator, shuts down the output.

	Voltage	VI100-4812-1VC
Logic low/ Open	0 to 0.7V	Output Enabled
Logic high	3.3 to 5V	Output Disabled

VARITURN ELECTRO PRODUCTS (P) LTD.

196, Phase-II, IDA, Charalapally, Hyderabad-500051, Telangana, INDIA.
 Tel: +91 40 27261308, 32443011, Fax: +91 40 27261309

DC-DC CONVERTER

Rev: 00, Jan 2016, www.variturndefence.com

24V, 2.5A - 60W

Electrical Specifications:

Sl.No	Parameter	Condition	VI60-2424-1V1C1			Units
			Min	Typ	Max	
1	Input voltage	—	9	24	36	VDC
2.a	Input current	No Load	80	100	150	mA
2.b		Full Load, (@ min Voltage)	—	—	7246	mA
2.c		Inhibit	—	—	5	mA
3	Output voltage		23.95	24	24.05	VDC
4	Output power	-40°C to +85°C	—	—	60	W
5	Output current		—	—	2.5	A
6	Output ripple		—	100	150	mVp-p
7	Efficiency		—	—	92	%
8	Line regulation	Vin Min to Vin Max	—	1	2	%
9	Load regulation	No load to full Load	—	2	3	%
10.a	Isolation	Input to Output	—	>1000	—	VDC
10.b		Input to Case	—	—	—	
10.c		Case to Output	—	—	—	
11	Operating Temperature	—	-40	—	+85	°C
12	Input and Output connections	—	Turrets			

Mechanical Specifications:

	Length (mm)	Width (mm)	Height (mm)
Overall specifications	86.5 ±0.2	39 ±0.1	16.5 ±0.1

Absolute Maximum ratings:

	VI60-2424-1V1C1
Input voltage	9V to 36V
Output power	72W
Output current	3 A
Storage temperature	-40°C to +150°C

VARITURN ELECTRO PRODUCTS (P) LTD.

196, Phase-II, IDA, Charalappally, Hyderabad-500051, Telangana, INDIA.
Tel: +91 40 27261308, 32443011, Fax: +91 40 27261309